



5 MP Fixed Varifocal IP Bullet Cameras

Model No: **GL-3VFSIP**



Overview

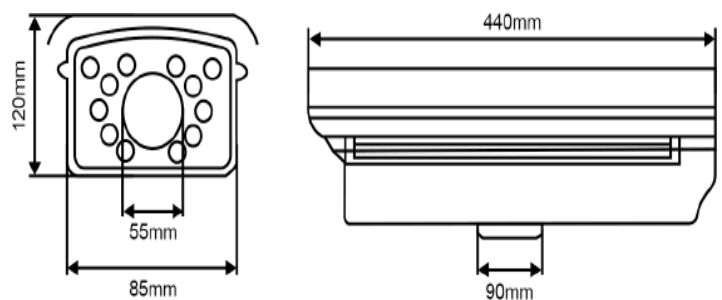
Glotec has developed the **GL-3VFSIP (Intelligent Video Analytics)** IR Bullet Network camera to support high-performance edge analytics. This enables the creation of scalable, intelligent video solutions for various video surveillance systems with different requirements. The camera comes with integrated video analytics, including Cross Line Detection, a trip-wire application that automatically detects intrusions and sets off alarms when objects cross a virtual line.

The **Glotec, GL-3VFSIP** also boasts a detailed 5-megapixel resolution with H.265 high-efficiency compression technology that delivers a frame rate of 25 fps and True WDR enhancement for excellent visibility in extremely bright and dark environments. Adjusting the focus of a megapixel network camera can be challenging because of the image detail, but the Smart Focus function makes installation and adjustment easier. The camera's weather-resistant features are ideal for indoor and outdoor surveillance, with an IK10 impact resistance rating and waterproof IP67 rating housing. It can withstand temperatures ranging from -40°C to 55°C , delivering impressive results outdoors and in harsh environments.

Features

- Onvif compliant and RTSP protocol support.
- Advance H.265 compression saves 60~80% bandwidth and storage size compared with H.264.
- Support multi IVS (Intelligent Video Analysis) function.
- Search and playback the video clips of SD card from Web Browser.
- Auto alarm when SD card and Network failed, IVA TRIGGER, IP conflict, Illegal access.
- Support export/import/restore system configuration for backup purposes
- Removable IR-cut filter supports for Day & Night application used.
- Quick Zoom® simple Zoom and Auto-Focus adjustment remotely.
- Smart IR Illuminators adjust the IR LED light across the entire area to get a well-illuminated image, effective up to 100 meters.
- Vandal-proof IK10-rated, IP 67 Weather-proof-rated housing.
- True WDR Enhancement for Unparalleled Visibility in Extremely Bright and Dark Environments.
- H.265/H.264 /MJPEG multiple simultaneous streams.
- On-camera motion detection and privacy mask.
- Onvif Profile S, G& T compliant
- Pixel Counter and FPS display on the video for image clarity measurement to get the optimum video quality and file size.
- Virtual ePTZ for efficiency surveillance.
- ROI (Region of Interest) encoding enhances the quality of images specified in advance.
- Adjustable auto reboot schedule by day, weekly, once, and disabled.
- Wide operation temperature (-40°C ~ 55°C) range.
- BIS, CE, FCC, RoHS, IP67, IK10 Certified.

Diagram



CPU & Memory

Embedded ARM Cortex-A9, 816MHz, 512MB, DDR3L, 256MB flash memory.

Image Device

1/2.8" 5MP Sony progressive scan CMOS sensor.

Audio

G.711 Ulaw audio encoding and decoding. Line/Microphone audio in; Audio output, Two-way audio, Audio in/out gain adjustable (Mute~100 levels)

Network

Protocol	IP4, IP6, HTTP, HTTPS, SSL, TCP, ICMP, RTP, UDP, IGMP, RTCP, SMTP, DHCP, DNS, FTP, NTP, SNMP, SNTP, DDNS, RTSP, RTMP, UPnP, PPPoE, Multicast.
Interface	RJ-45; 10BASE-T/100 BASE-TX.
Compatible	Onvif Profile S, G& T compliant

IVA Functions

Object Counting Detection for Car & Human Unattended/Missing Object Detection, Loitering Detection, Tripwire Detection. Smart Motion Detection, Video Loss Detection, Tamper Detection, Face Detection and Face Recognition, Crowd Detection, Traffic Light Detection

Surge Protector

Power	2KV@1.2/50µs Common mode
Signal	6KV@102/700µs Differential mode

Management

Time	Manual Time Setting; Time Server, NTP support, DST Bias and Real Time Clock.
Event Trigger	Motion / Tamper / Audio / Alarm / Network lost detection /Smart Event
Event notification	Event notification via Pop up video, move PTZ camera preset, send email and trigger alarm output.
Update	Online Firmware update.

Browser

Internet Explorer 9.0 and above; Edge, Chrome, Safari, Firefox.

Video Setting

Compress	H.265, H.264 HP/MP/BL, MJPEG encode, CBR/VBR mode
Frame Rate	25fps@ 5MP and the rest resolution. 16K 8M Bits/sec. Adjustable resolution, quality, frame rate and bitrate.
Bit Rate	Streaming 1: 2592x1944, 2560x1440, 2048x1536 1920x1080 Streaming 2: 720x576, 640x480, 352x288 Streaming 3: 352x288
Resolution	
Display Mode	16:9 / 4:3/ Full/ Original size modes.

Network Storage (NAS)

Support: SAMBA/CIFS

Control

Brightness, Contrast, Saturation, Sharpness, Hue, Exposure, Motion detection, Mirror, Corridor mode, Gamma Shutter, Privacy mask, Flicker less, 3D Noise reduction, Defog, IRIS, AWB, AGC, Backlight, WDR, ICR, ROI, ePTZ, Audio gain, Alarm in/out, IVS trigger, IRIS, Network Failed detect, SD card filed detect, FTP, Email, Power Frequency, IP Conflict, Illegal Access, Alarm triggered, Frame/Bit rate display.

Backup

Import/Export parameters, Restore setup.

S/N Ratio

More than 50dB

Illumination

Color: 0.1Lux/F1.6; B/W: 0.02/F1.6 Lux, 0 Lux IR on.

WDR

≥ 120 dB; True WDR/DWDR/OFF Mode.

Shutter

Auto /Fixed: 1/5s~1/120,000s

White Balance

Auto/ Customize/ Incandescent/ Fluorescent/ Warm / Natural

Backlight

Off/ Highlight correction/ Backlight correction

Overlay

Text / Time Stamp; support more than OSD 80 characters, Front type, Front size, position & Color adjustable by user.

I/O Port

Standard	Two-way Audio in x1; Audio out x1; DC power in, RJ-45, SD Card.
Option	Digital Alarm in x2, Alarm out x1.

Security

Password & Mac ID filter protection, user access log record.

Lens & IR LED

Lens	30x Optical zoom (f=5.2 ~ 156 mm/ F1.3 to F4.8); 69.4° (Wide) to 2.28° (Tele end); 16x Digital zoom (Optional).
IR Cut	Built in removable IR-cut filter for day & night function. IR Cut swap trigger by external, auto, manual, and schedule.
IR Illuminators	12 pieces VCSEL IR Illuminators effective up to 120 meters. Support Smart Auto/Off/Manual IR LED control.

Storage

SD Card	Micro SD slot for SD/SDHC card storage; IVA trigger, Network failed start recording on SD card
Backup	Backup/Restore to device configuration file to SD or HDD.

Housing

Case	Aluminum alloy
Dimensions	85 mm x 120 mm x 440 mm / 6.5Kg.

Operation

Power consumption	Typ. 5W; 29W when IR LED on. DC12V ±10% / PoE+ (IEEE 802.3at compliant)
Temperature	-40° C ~ 55° C; Humidity 0% ~ 90% RH

Certificated

BIS, CE, FCC, RoHS, IP67, IK10

